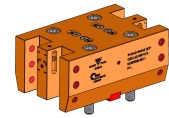


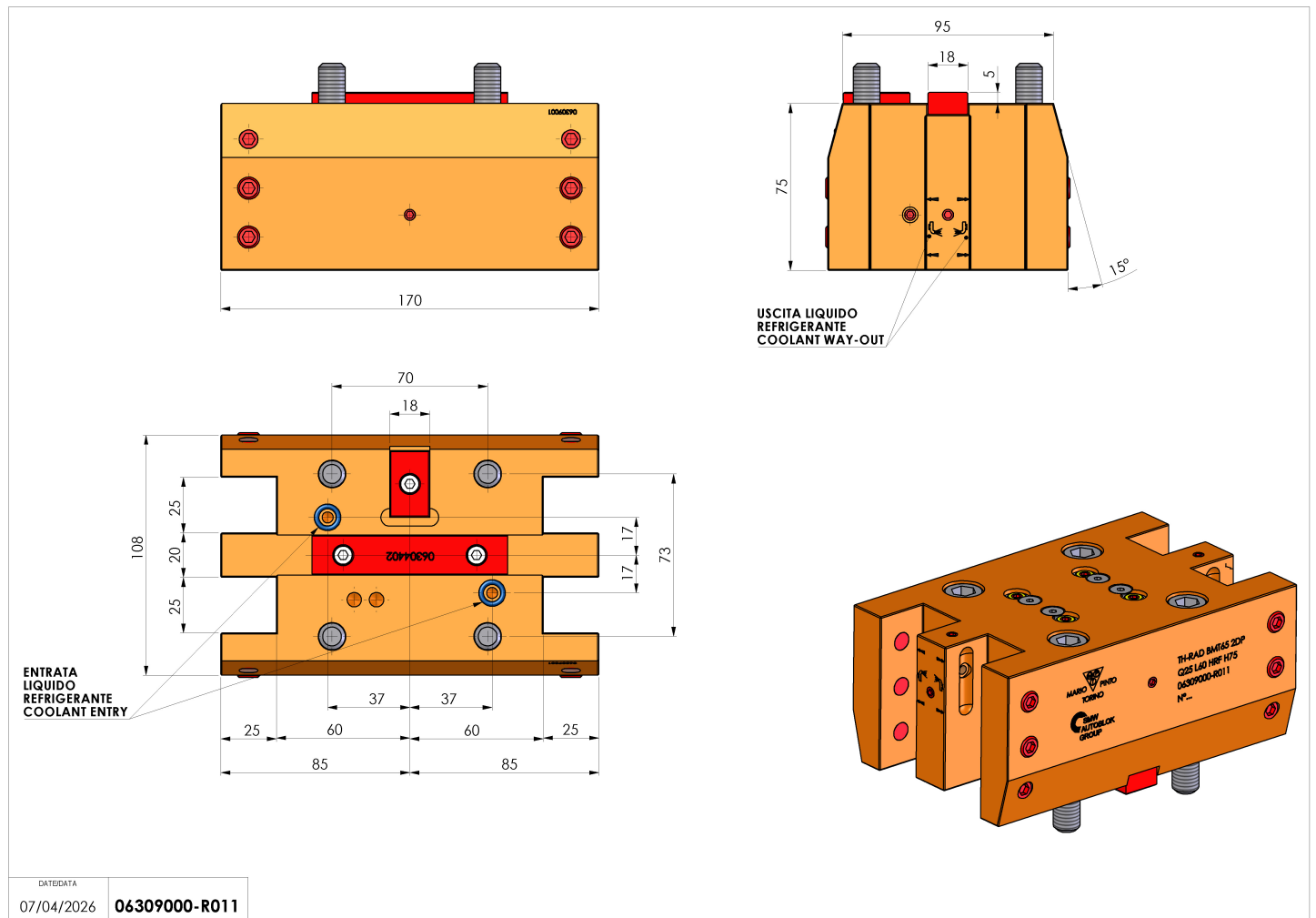
06309000 - TH-RAD BMT65 2DP Q25 L60 HRF H75

Type	TH-RAD Radial Tool holder
Mounting	BMT 65
Tool output	Radial Square Tool Holder 25x25
Coolant	HRF Internal/external coolant
H [mm]	75



Accessories	N.A.
Notes	N.A.
Mounting tips	N.A.

Always check live tool dimensions on the turret



DATEDATA
07/04/2026 06309000-R011

Subject to technical changes