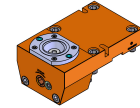
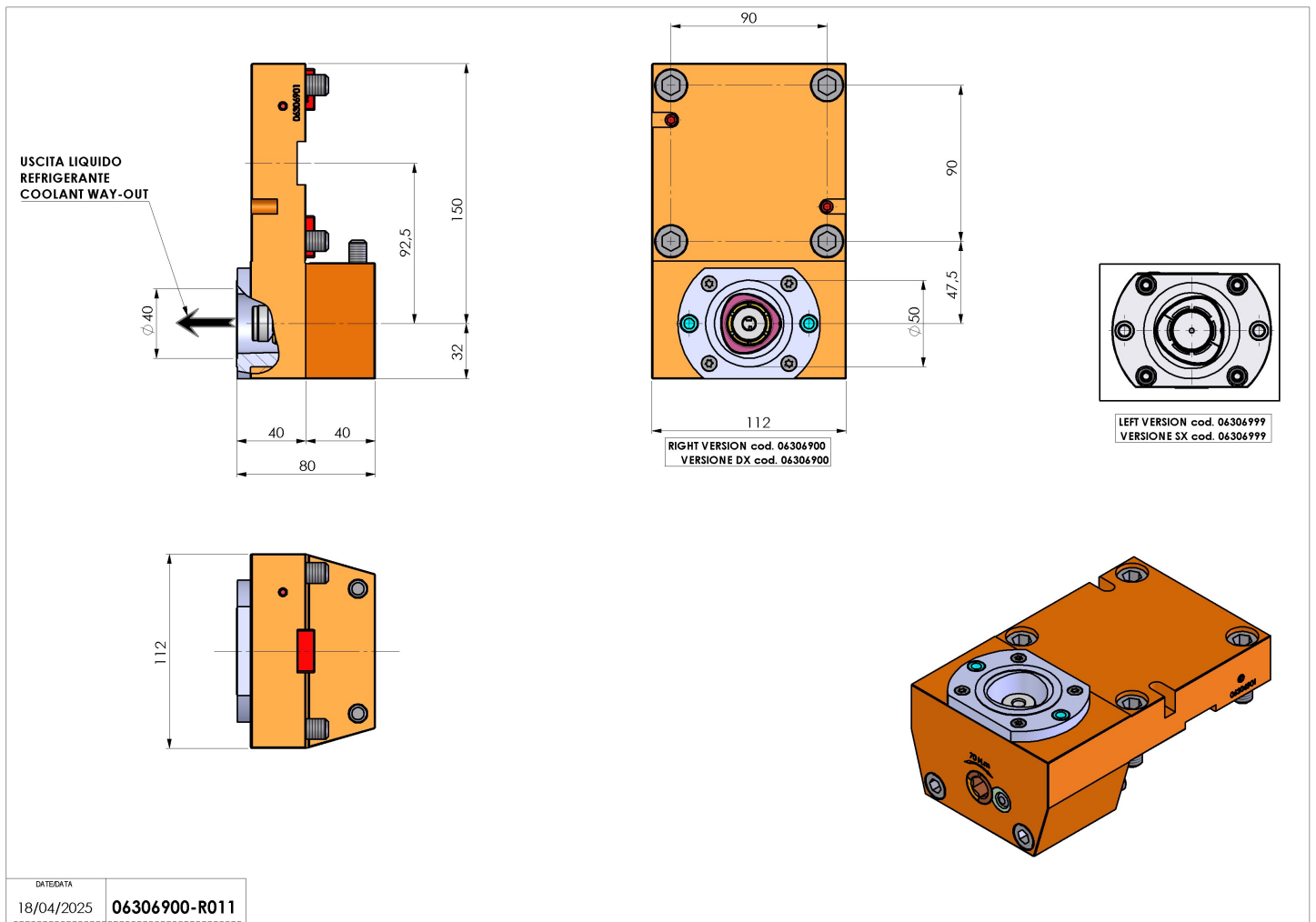


06306900 - TH-RAD BMT75 C50 OFS-92.5 RF H40

Type	TH-RAD Radial Tool holder
Mounting	BMT 75
Tool output	Polygonal shank C50 ISO 26623-1
Coolant	Internal coolant
Direction of rotation	92,5
H [mm]	40
Max pressure [bar]	20
Accessories	N.A.
Notes	N.A.
Mounting tips	Not compatible with vertical turrets



Always check live tool dimensions on the turret



Subject to technical changes