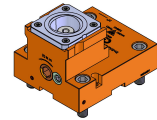
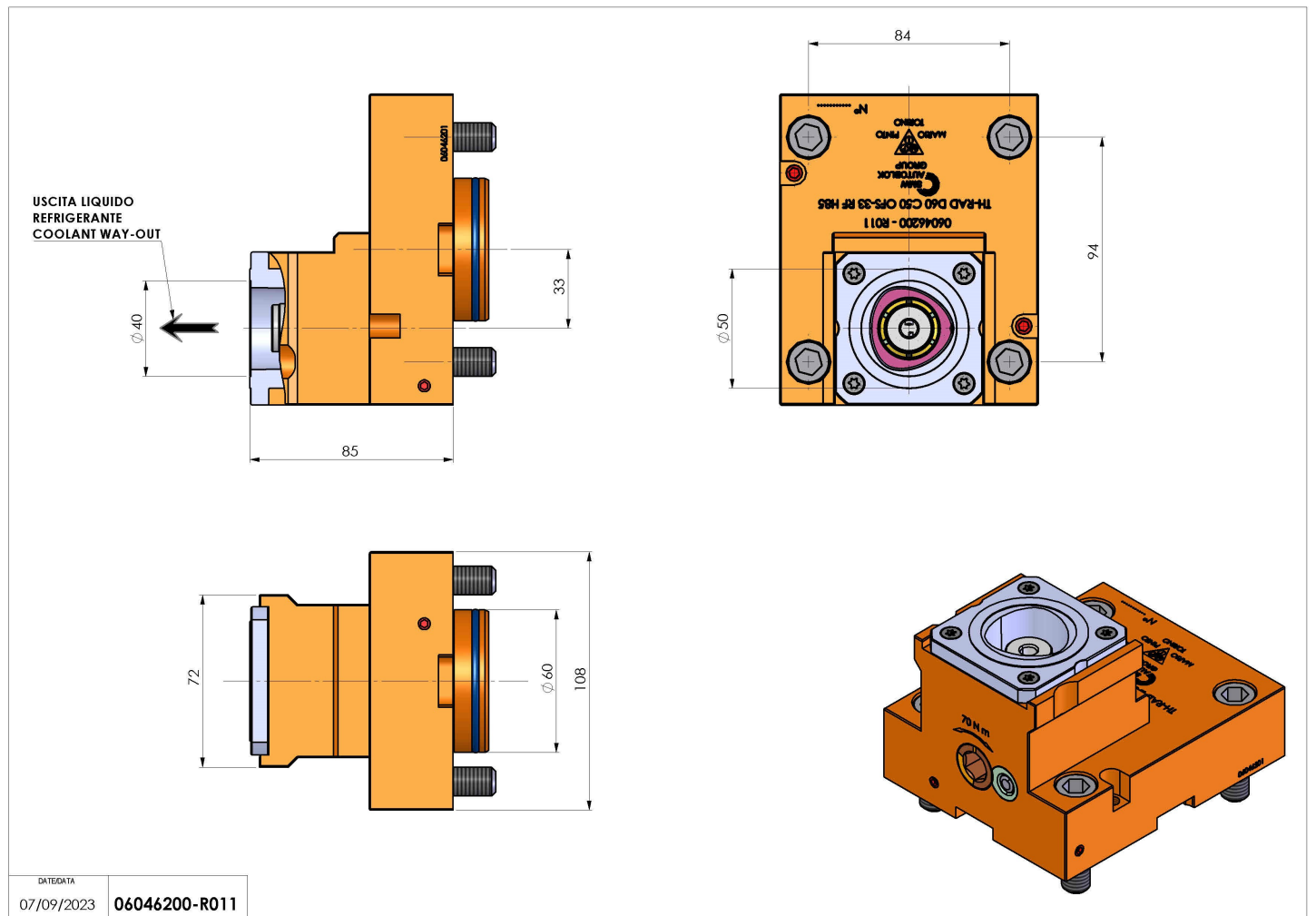


06046200 - TH-RAD D60 C50 OFS-33 RF H85

Type	TH-RAD Radial Tool holder
Mounting	CYLINDRICAL SHANK 60
Tool output	Polygonal shank C50 ISO 26623-1
Coolant	Internal coolant
Offset [mm]	33
H [mm]	85
Accessories	N.A.
Notes	N.A.
Mounting tips	N.A.



Always check live tool dimensions on the turret



DATE/DATA
07/09/2023 06046200-R011

Subject to technical changes