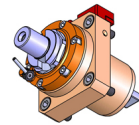
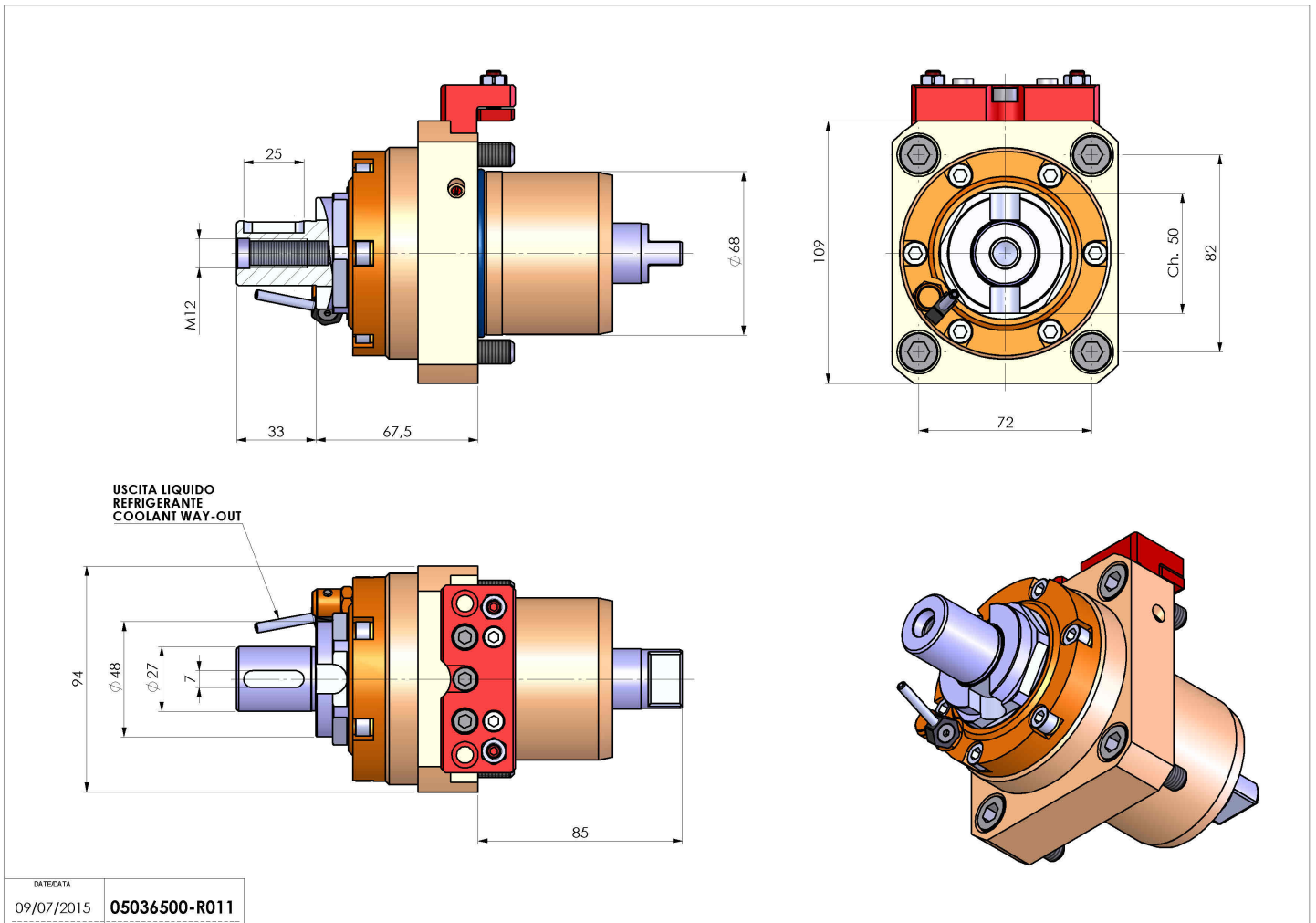


05036500 - LT-S D68 DIN138-27 H68 TWJ

Type	LT-S Tool holder straight
Mounting	CYLINDRICAL SHANK 68
Tool output	Shell-Mill DIN138 27
Coolant	External coolant
Direction of rotation	r1 ↻ r2 ↻
Max speed [rpm]	6000
Max torque [Nm]	63
Ratio	1:1
H [mm]	68
Accessories	
Notes	N.A.
Mounting tips	N.A.



Always check live tool dimensions on the turret



Subject to technical changes