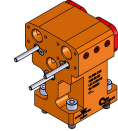


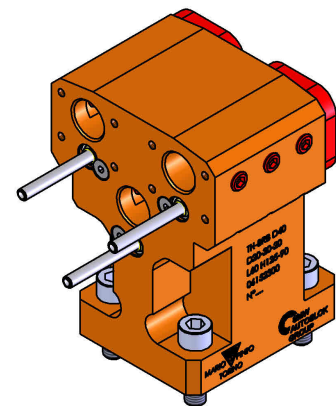
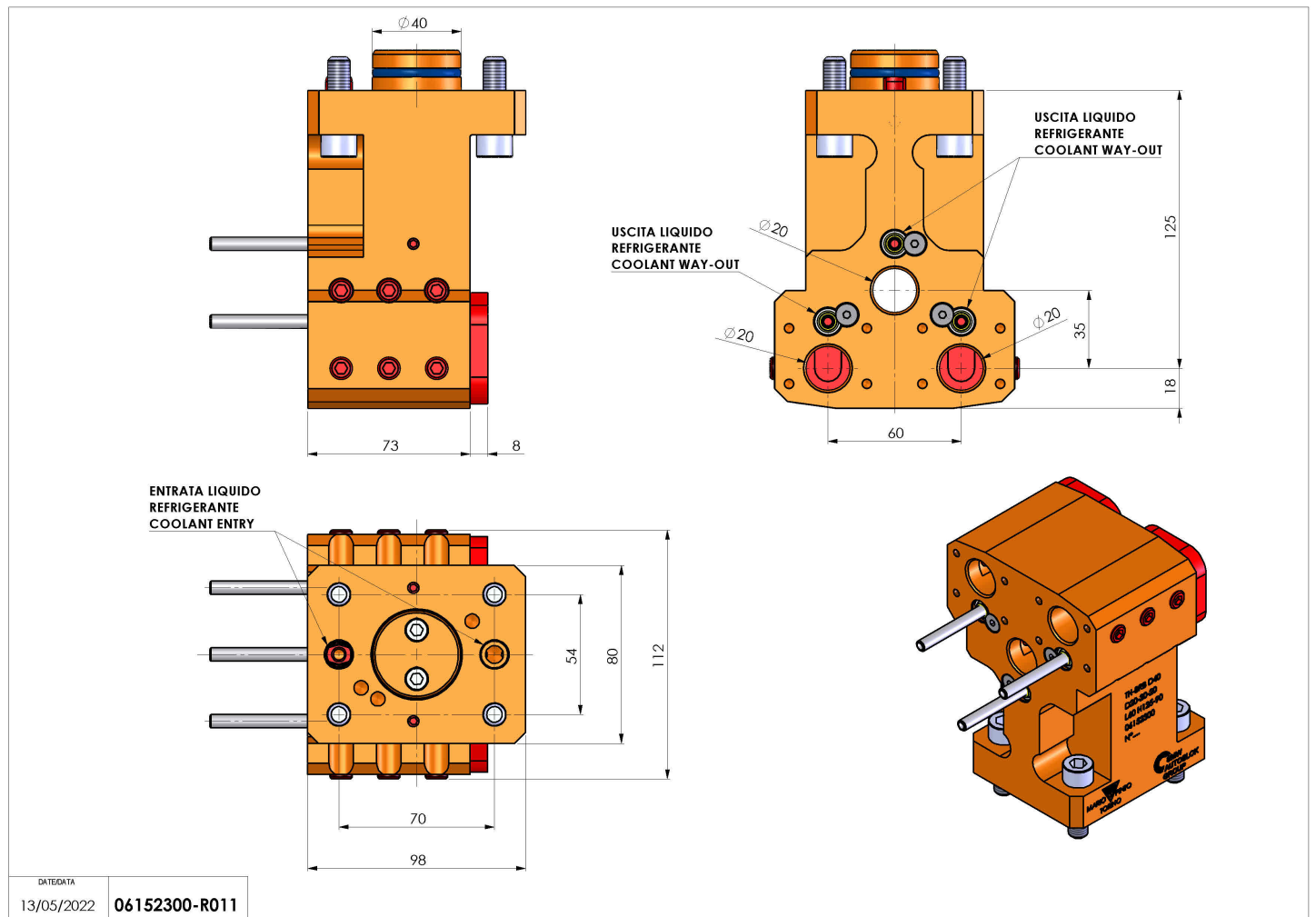
06152300 - TH-BRB D40 D20-20-20 L60 H125-90

Type	TH-BRB Boring bar holder
Mounting	CYLINDRICAL SHANK 40
Tool output	Boring Bar Holder 20
Coolant	External / Internal coolant
H [mm]	90 - 125



Accessories	N.A.
Notes	N.A.
Mounting tips	N.A.

Always check live tool dimensions on the turret



Subject to technical changes