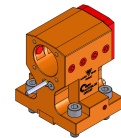


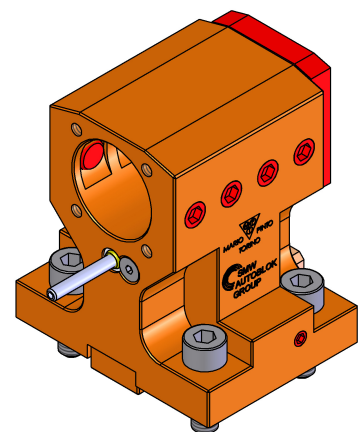
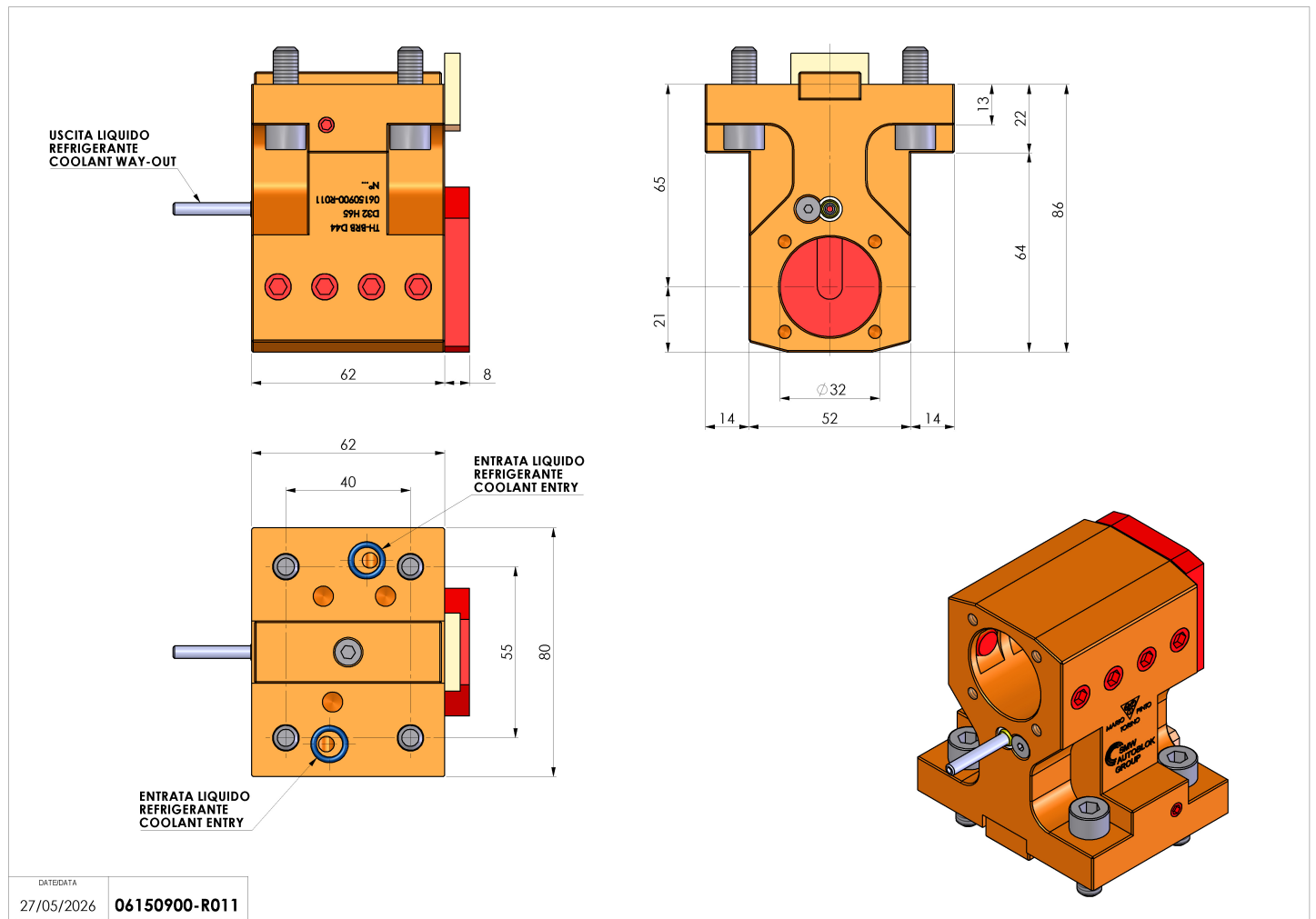
# 06150900 - TH-BRB D44 D32 H65

<b>Type</b>	TH-BRB Boring bar holder
<b>Mounting</b>	CYLINDRICAL SHANK 44
<b>Tool output</b>	Boring Bar Holder 32
<b>Coolant</b>	External coolant
<b>H [mm]</b>	65



<b>Accessories</b>	N.A.
<b>Notes</b>	N.A.
<b>Mounting tips</b>	N.A.

Always check live tool dimensions on the turret



Subject to technical changes