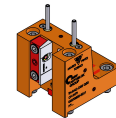


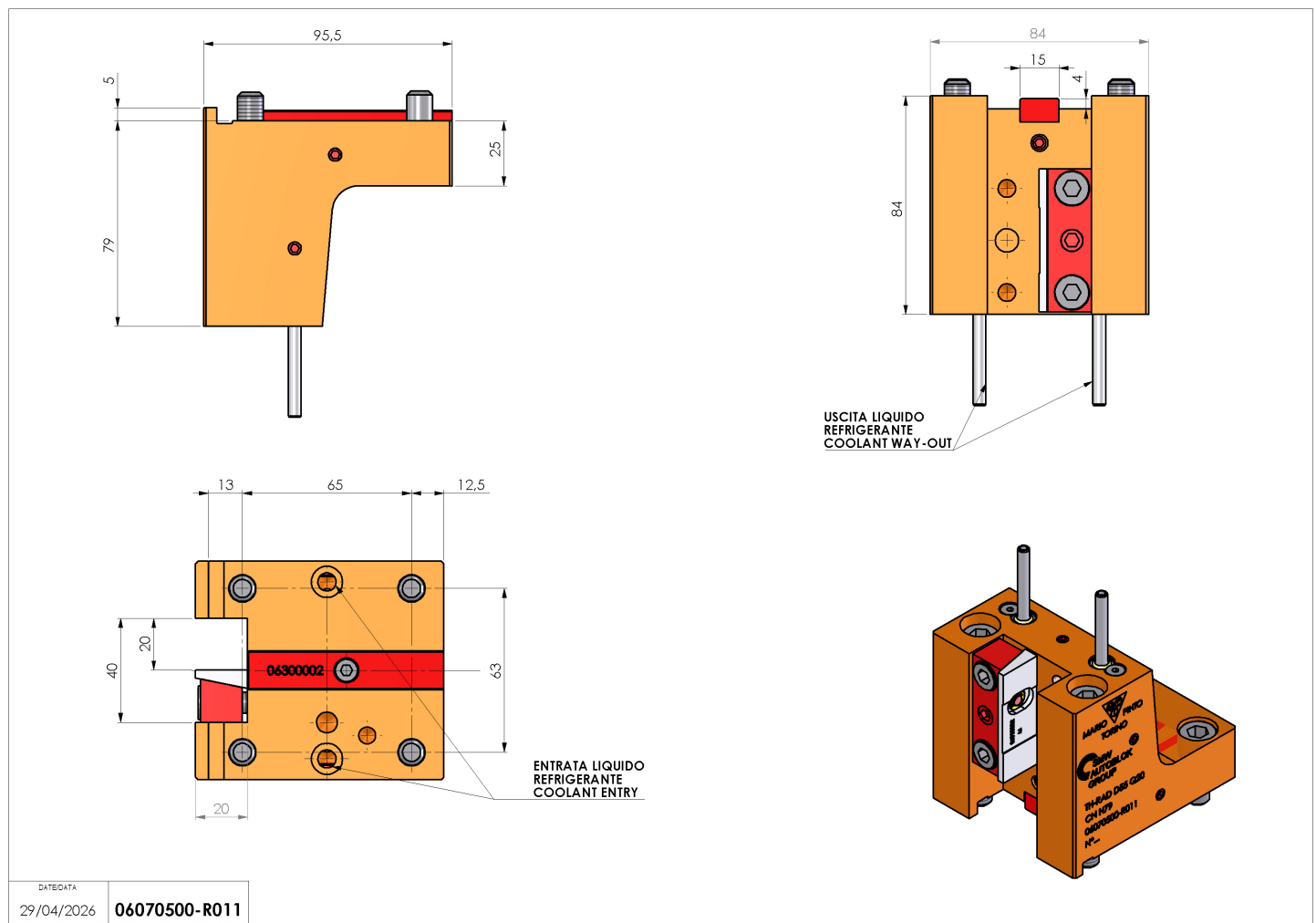
06070500 - TH-RAD D55 Q20 CN H79

Type	TH-RAD Radial Tool holder
Mounting	CYLINDRICAL SHANK 55
Tool output	Radial Square Tool Holder 20x20
Coolant	External coolant
H [mm]	79



Accessories	N.A.
Notes	N.A.
Mounting tips	N.A.

Always check live tool dimensions on the turret



DATE/DATE	29/04/2026	06070500-R011
-----------	------------	---------------

Subject to technical changes