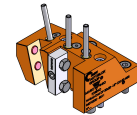


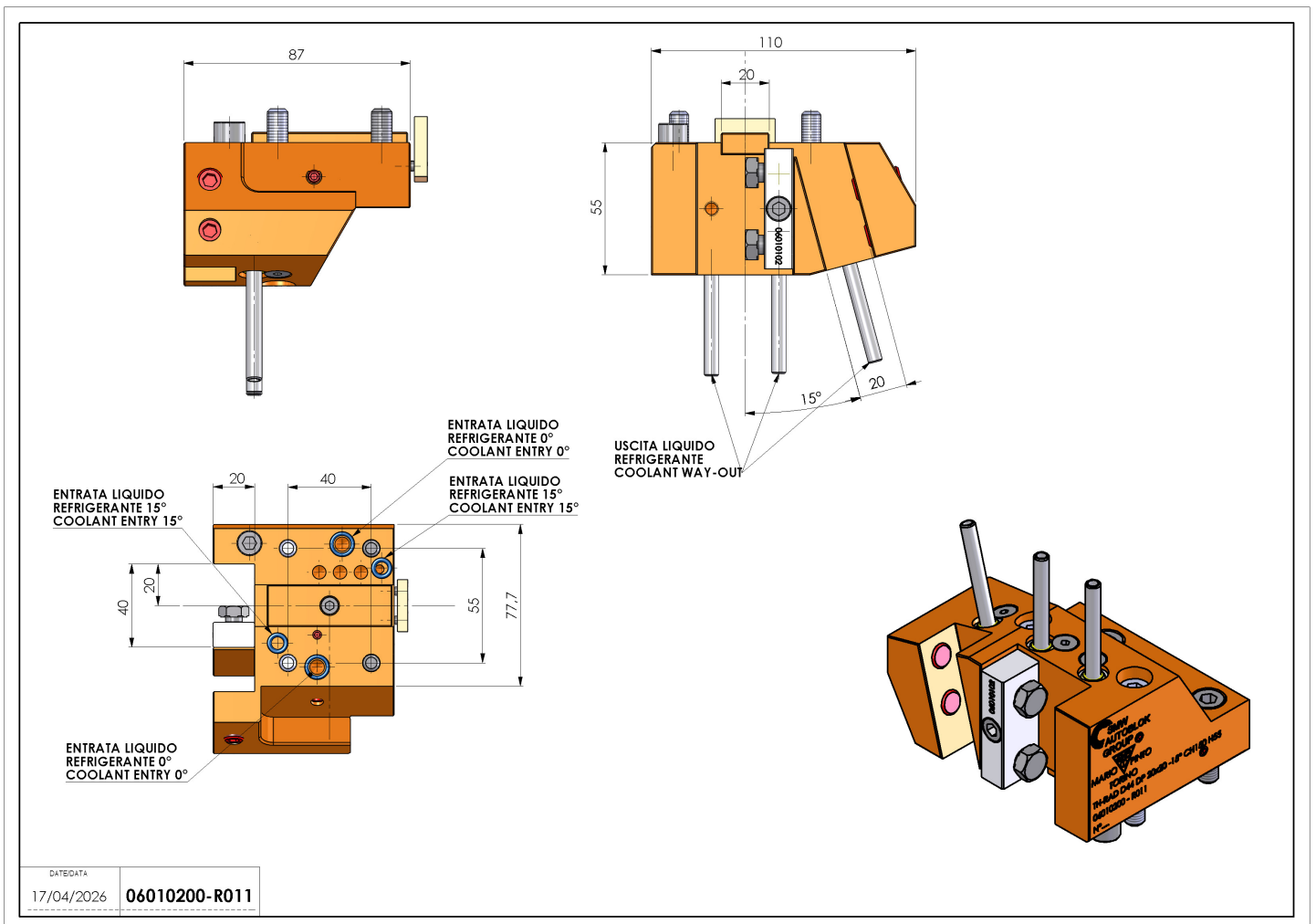
# 06010200 - TH-RAD D44 DP 20x20 - 15g CH150 H55

Type	TH-RAD Radial Tool holder
Mounting	CYLINDRICAL SHANK 44
Tool output	Radial Square Tool Holder 20x20
Coolant	External coolant
H [mm]	55



Accessories	N.A.
Notes	N.A.
Mounting tips	N.A.

Always check live tool dimensions on the turret



DATE/DATE: 17/04/2026 06010200-R011

Subject to technical changes