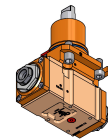
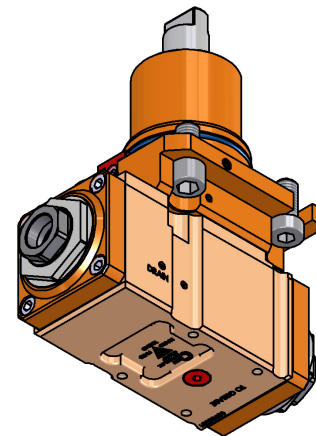
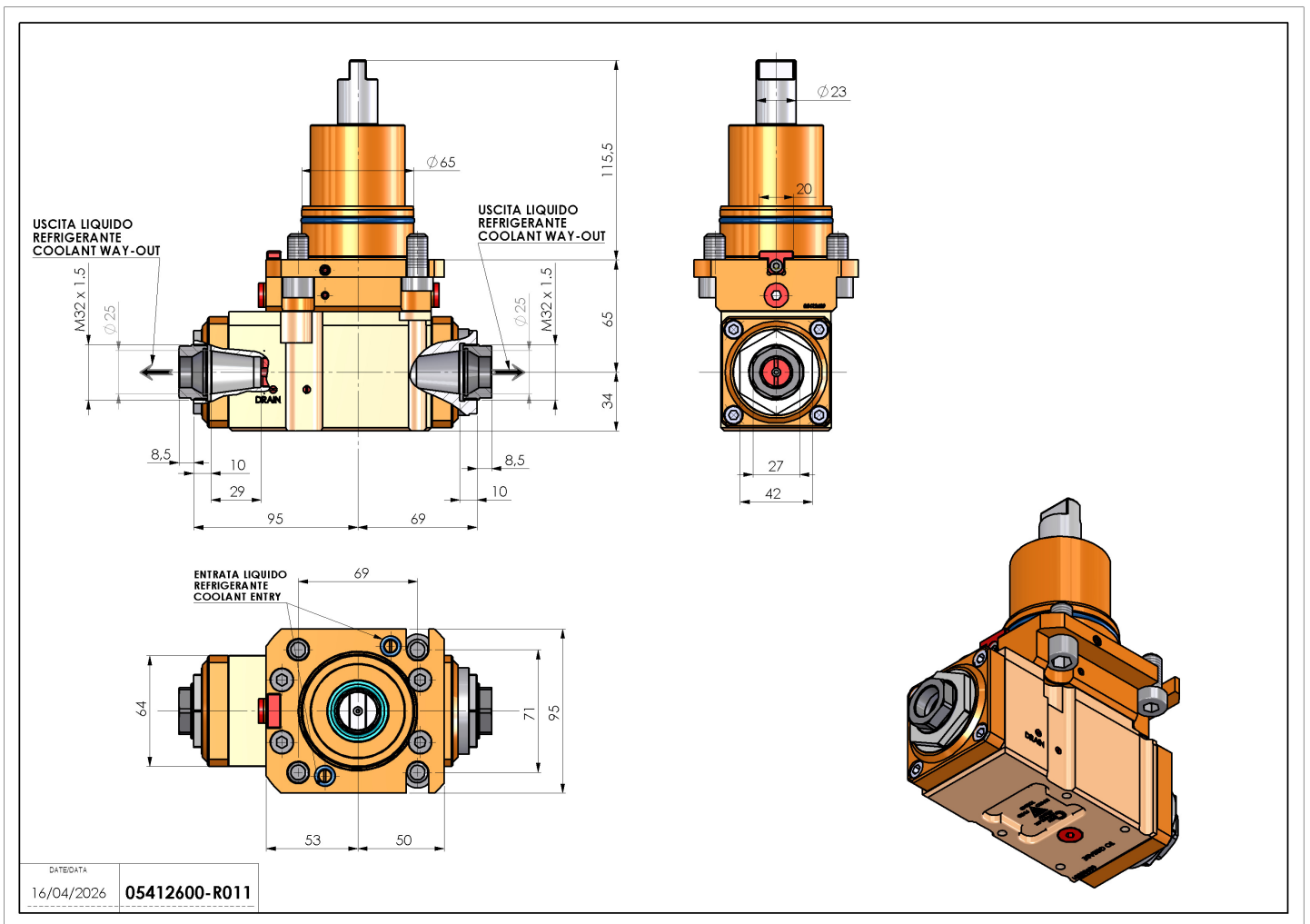


05412600 - LT-A D65 ER25F-25F HRF H65

Type	LT-A DBL Tool holder double angle 90°
Mounting	CYLINDRICAL SHANK 65
Tool output	Collet nut ER 25 F - internal nut
Coolant	HRF Internal/external coolant
Direction of rotation	r1 ↻ r2 ↻ r3 ↻
Max speed [rpm]	6000
Max torque [Nm]	25
Ratio	1:1
Max pressure [bar]	70
Accessories	N.A.
Notes	N.A.
Mounting tips	N.A.



Always check live tool dimensions on the turret



Subject to technical changes